



*EMERGING  
TECHNOLOGIES*

*JIM WADDELL  
SONY RECORDING MEDIA*

# *TO BE DISCUSSED....*

- ◆ *TRAVAN*
- ◆ *DTF*
- ◆ *MAMMOTH*
- ◆ *DDS-3*
- ◆ *OPTICAL DEVELOPMENTS*



*TRAVAN AND ASSOCIATED  
CARTRIDGES*

*A TRULY OPEN TAPE  
STANDARD*

# READ/WRITE COMPATIBILITY

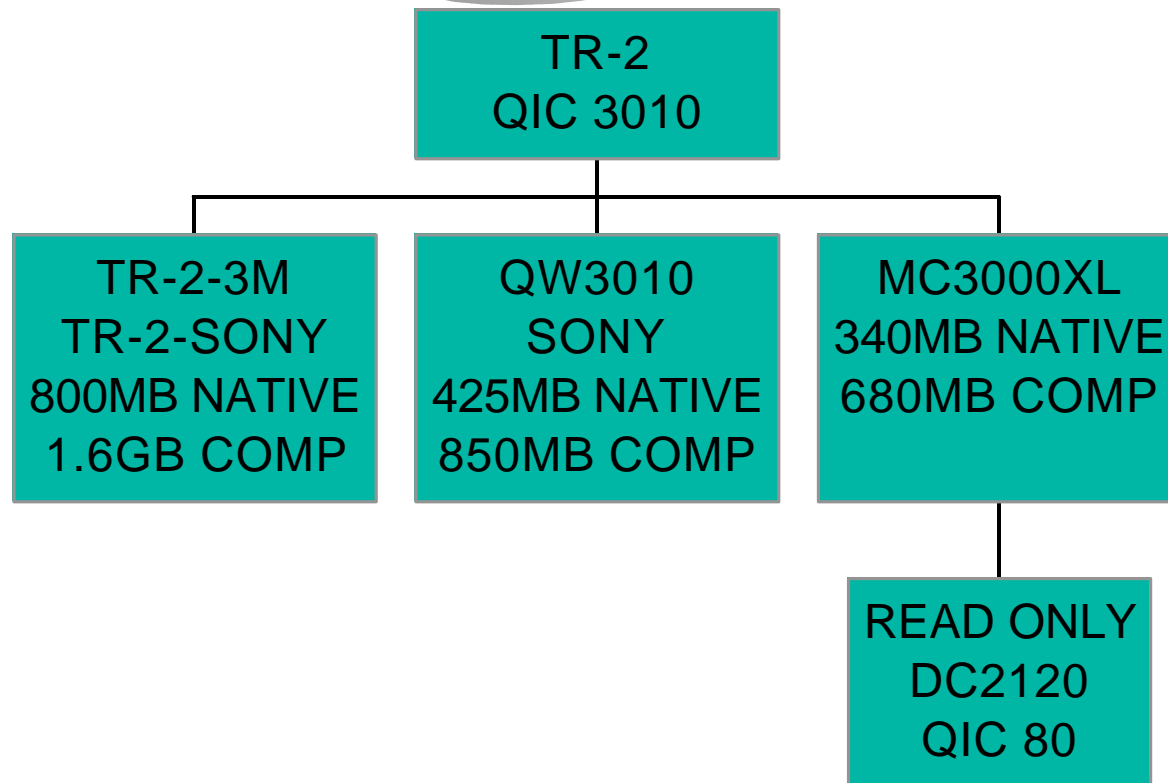
TR-1 DRIVES  
QIC-80 CLASS

TR-1--3M  
TR-1--SONY  
400MB NATIVE  
800MB COMP

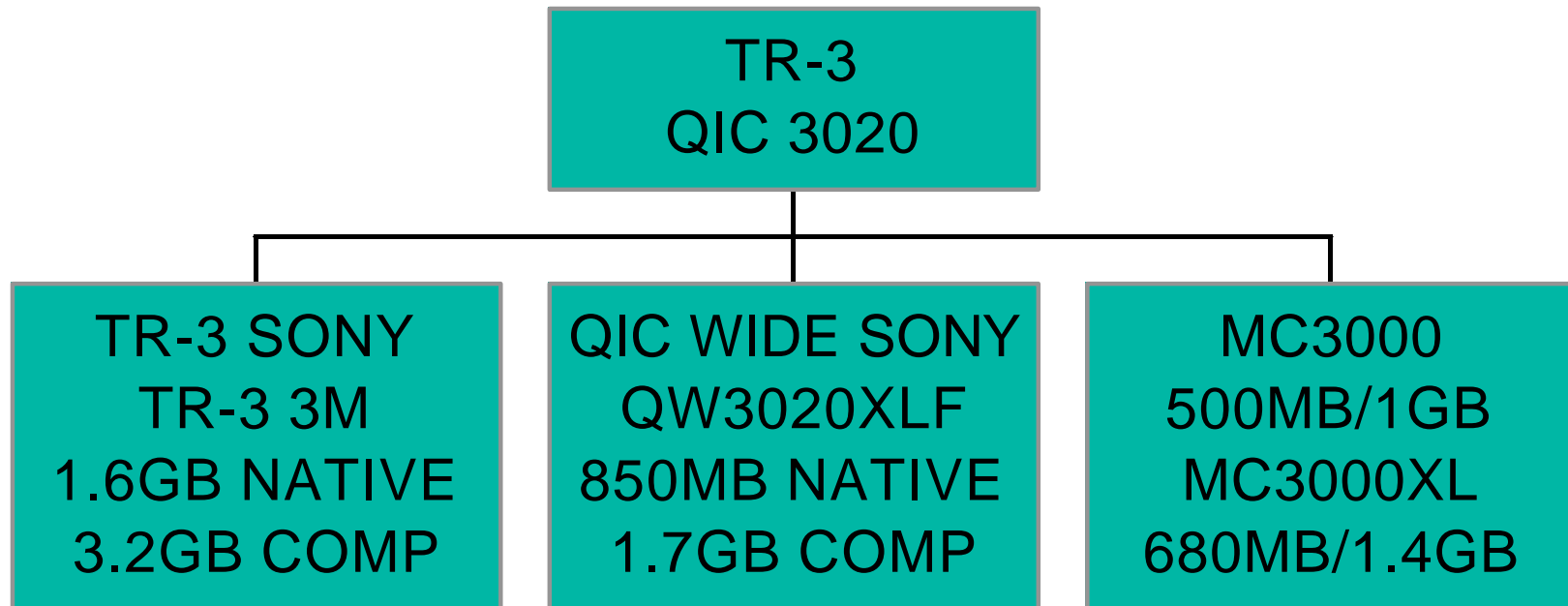
QIC-WIDE SONY  
QW5122F  
210MB NATIVE  
420MB COMP

QD2120  
120MB NATIVE  
250MB COMP

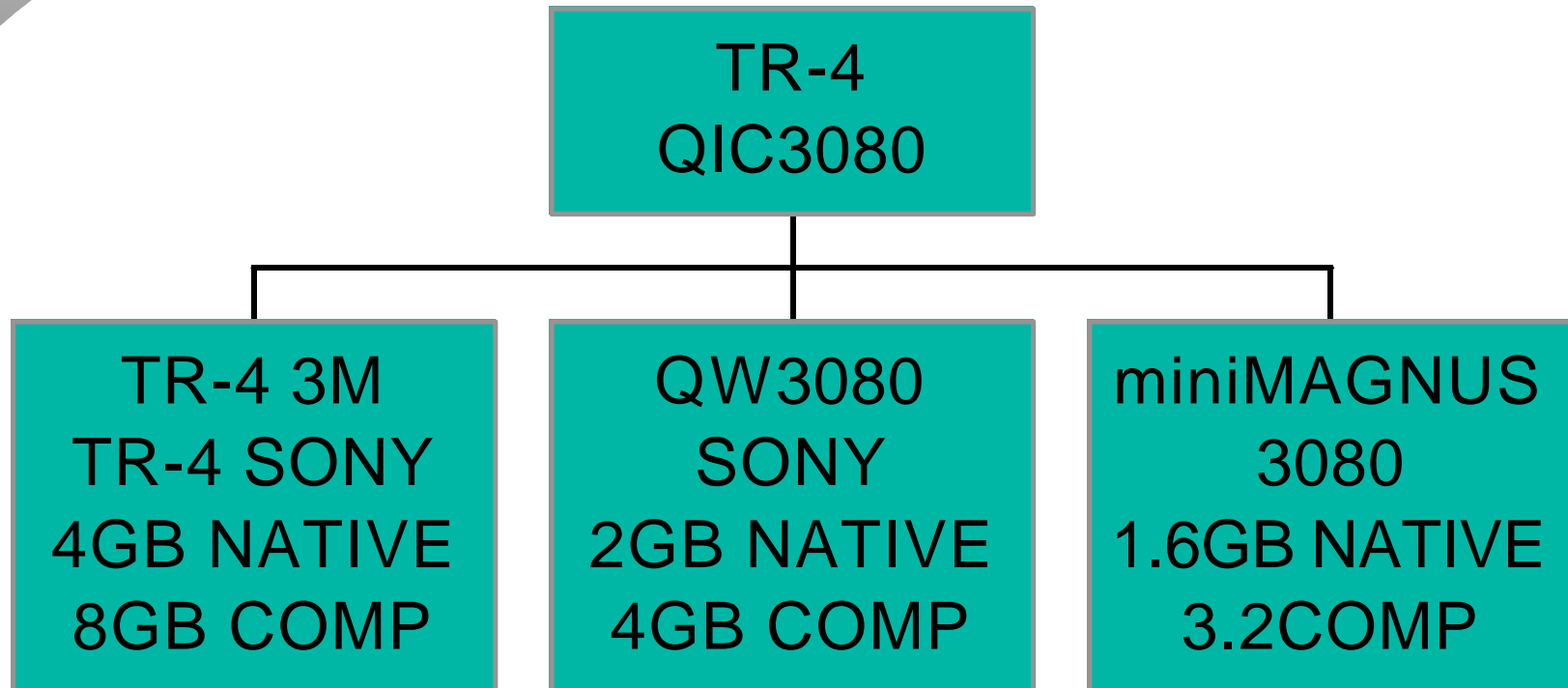
# READ/WRITE COMPATIBILITY- QIC 3010



# READ/WRITE COMPATIBILITY-QIC 3020



# *READ/WRITE COMPATIBILITY-QIC3080*



# *TRAVAN=COMPATIBILITY*

- ◆ *TOTALLY BACKWARD COMPATIBLE WITHIN FORMAT*
- ◆ *TR-1 HAS AN UNCOMPRESSED CAPACITY OF 400MB*
- ◆ *QIC-WIDE CARTRIDGES ARE THE LOGICAL SOLUTION FOR INCREMENTAL BACKUPS*



# SONY AND TRAVAN

- ◆ *SONY IS THE ONLY LICENSEE OF TRAVAN*
- ◆ *TRAVAN IS DERIVED FROM SONY CONCEPTS(QIC-WIDE; LARGE TAPE PACKS)*
- ◆ *SONY HAS SOLUTIONS AT ALL LEVELS*



# *DIGITAL TAPE FORMAT*

*“DATA BETA”  
THE FORMAT THAT WOULD  
NOT DIE!*

# *AN ANSWER TO LARGE STORAGE REQUIREMENTS*

- ◆ *42 GB PER LARGE CARTRIDGE*
- ◆ *12 GB PER SMALL CARTRIDGE*
- ◆ *12MB/SEC TRANSFER RATE*

# *AN ANSWER TO MASS STORAGE REQUIREMENTS...*

- ◆ *1/2" DIGITAL TAPE ROBOTICS LIBRARY*
- ◆ *UP TO 1.47 TB OF FORMATTED STORAGE*
- ◆ *COMBINE LARGE AND SMALL CASSETTES*
  - *MAXIMUM 35 LARGE CASSETTES*
  - *MAXIMUM 70 SMALL CASSETTES*

# *RELIABILITY & DURABILITY*

- ◆ *10X10-17 CBER*
- ◆ *ADVANCED METAL PARTICLE MEDIA*
  - *SMALLER PARTICLE SIZE*
- ◆ *1500 OERSTED MEDIA*
  - *LOW CHANCE OF ACCIDENTAL ERASURE*

# *SPEED*

- ◆ *STANDARD TRANSFER RATE: 12MB/SECOND*
  - *BURST TO 20 MB/SEC*
  - *<6 SECOND ACCESS IN LIBRARY*
- ◆ *SCSI 2 FAST & WIDE*
- ◆ *USING SMALL CASSETTES REDUCES ACCESS TIMES*

# *MORE STORAGE*

- ◆ *SOLUTIONS TO 30 TB ARE AVAILABLE*
- ◆ *STORAGE DENSITY : 210GB/SQ FT*



# *MAMMOTH*

*A QUANTUM LEAP IN DATA  
STORAGE*



# *A NEW GENERATION OF 8mm TAPE PRODUCTS*

- ◆ *20GB PER CASSETTE*
- ◆ *ADVANCED METAL EVAPORATED  
MEDIA (AME)*
- ◆ *3MB/SECOND TRANSFER RATE*
- ◆ *MODULAR LIBRARY SYSTEMS*
- ◆ *RELEASED IN LATE '95*



*DDS-3*

*YES, DDS-3*

# *DDS: DOABLE DATA STORAGE*

- ◆ *MOST SUCCESSFUL “NEW”  
FORMAT*
- ◆ *UNIVERSAL DRIVE MANUFACTURER  
SUBSCRIPTION*
- ◆ *CROSSPLAY ASSURED*
- ◆ *STRICT FORMAT ADHERENCE IS  
THE KEY TO PERFORMANCE*

## DDS-3

- ◆ *MP++ MEDIA*
- ◆ *LONGER LENGTH MEDIA*
- ◆ *12GB CAPACITY (NATIVE)*
- ◆ *720 KB/SEC TRANSFER RATE*
- ◆ *BACKWARD READ COMPATIBILITY TO AT LEAST ONE GENERATION*
- ◆ *AVAILABLE EARLY '96*

# *OTHER NEW DEVELOPMENTS FOR 1996*

- ◆ *MD DATA (HONEST!)*
- ◆ *4X 5.25" MO (2.6GB; ISO STANDARD)*
- ◆ *6X 3.5" MO*